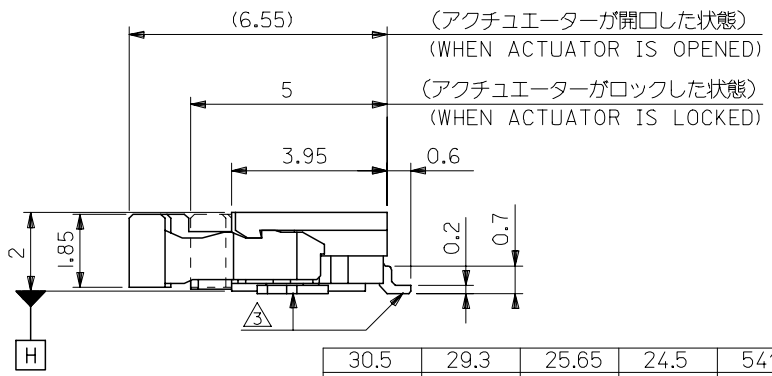
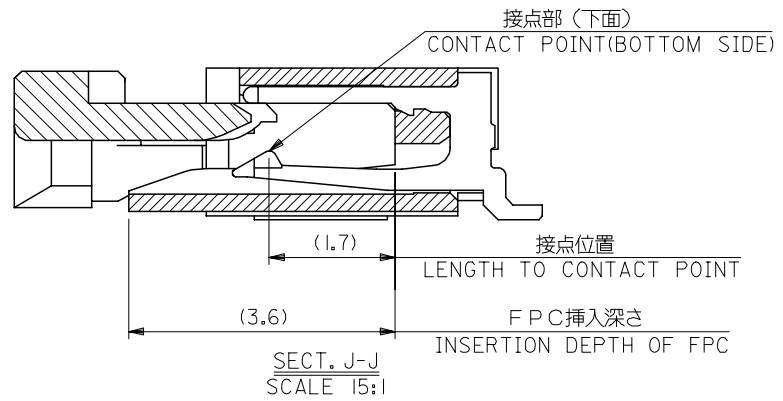
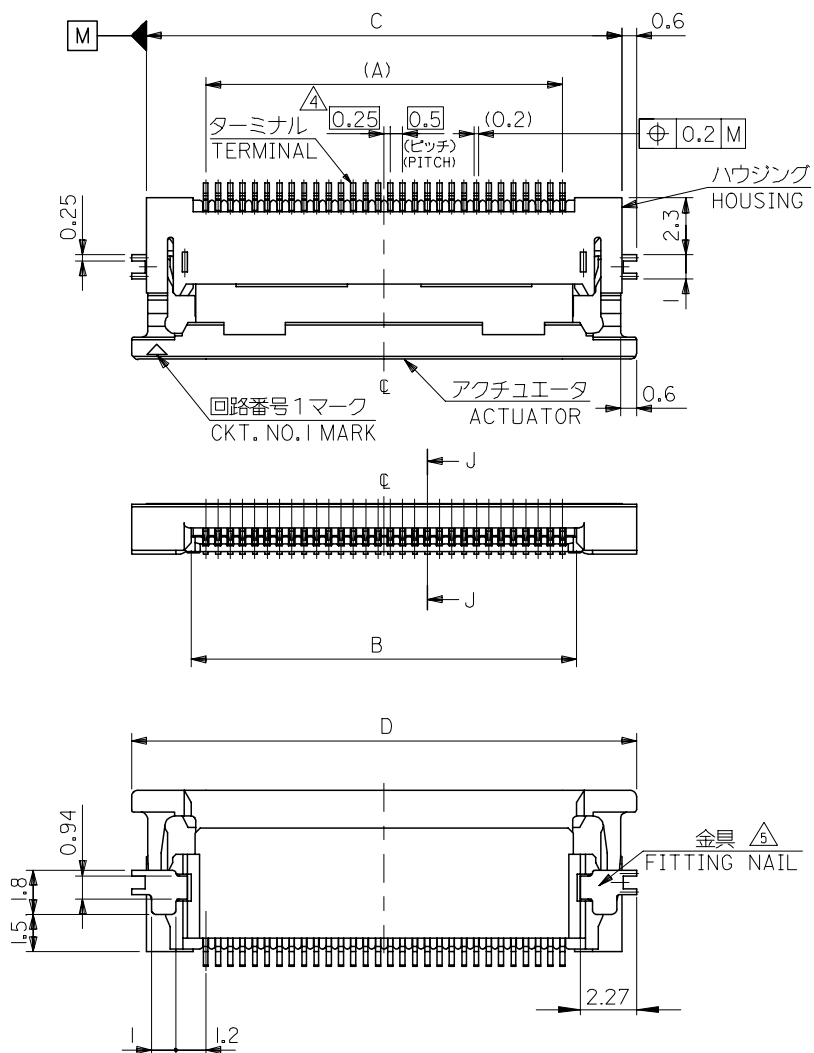


10 9 8 7 6 5 4 3 2 1

F
E
D
C
B
A

F
E
D
C
B
A

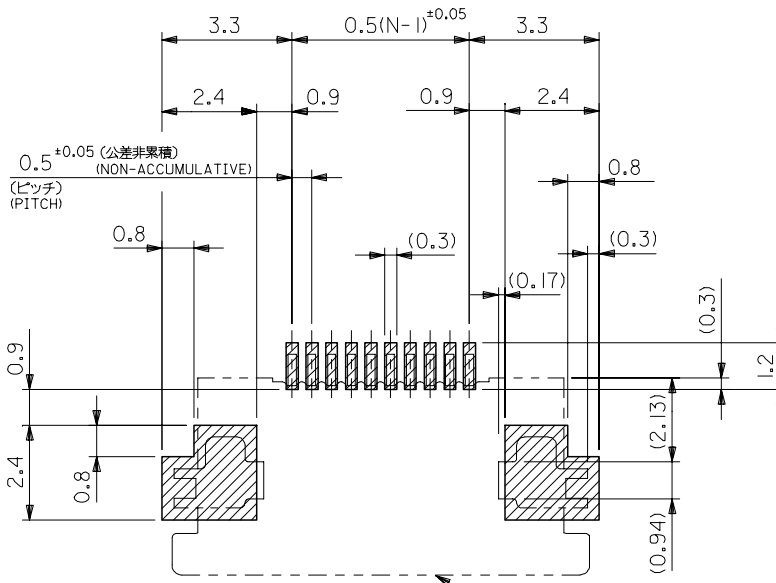


30.5	29.3	25.65	24.5	54132-5062	50
28.0	26.8	23.15	22.0	54132-4562	45
27.0	25.8	22.15	21.0	54132-4362	43
25.5	24.3	20.65	19.5	54132-4062	40
24.5	23.3	19.65	18.5	54132-3862	38
23.5	22.3	18.65	17.5	54132-3662	36
23.0	21.8	18.15	17.0	54132-3562	35
22.5	21.3	17.65	16.5	54132-3462	34
22.0	20.8	17.15	16.0	54132-3362	33
21.5	20.3	16.65	15.5	54132-3262	32
20.5	19.3	15.65	14.5	54132-3062	30
D	C	B	A	MATERIAL NO. (EMBOSS PKG)	CKT.

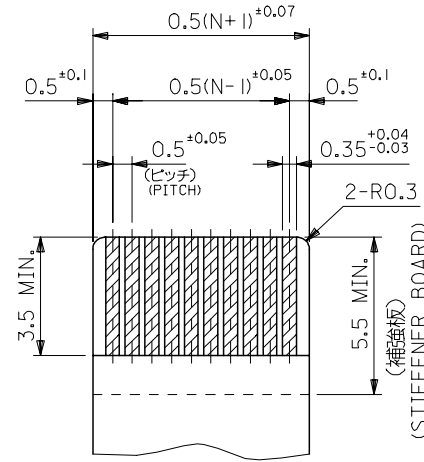
REVISED EC NO: J2006-0492 DRWN: MABEI 2005/08/10 CHKDK: TOYODA 2005/08/17 APPR: NUKITA 2005/08/23 DESCRIPTION REV	GENERAL TOLERANCES (UNLESS SPECIFIED)		DIMENSION STYLE MM ONLY		SCALE ---	DESIGN UNITS METRIC	THIRD ANGLE PROJECTION	
	10 UNDER	±0.2	DRAWN BY M.UMEDA	DATE 2004/09/27	TITLE 0.5 FPC CONN. HSG ASSY BTM CONTACT GOLD PLATING -LEAD FREE-(NI-BARRIER)			
	10 OVER 30 UNDER	±0.25	CHECKED BY K.TOYODA	DATE 2004/09/27	MOLEX INCORPORATED MATERIAL NO. SEE CHART DOCUMENT NO. SD-54132-064 SHEET NO. 1 OF 4			
	30 OVER	±0.3	APPROVED BY N.NUKITA	DATE 2004/09/27				
	ANGULAR ±3 °		DRAFT WHERE APPLICABLE MUST REMAIN WITHIN DIMENSIONS		SIZE A3		THIS DRAWING CONTAINS INFORMATION THAT IS PROPRIETARY TO MOLEX INCORPORATED AND SHOULD NOT BE USED WITHOUT WRITTEN PERMISSION	

9 8 7 6 5 4 3 2

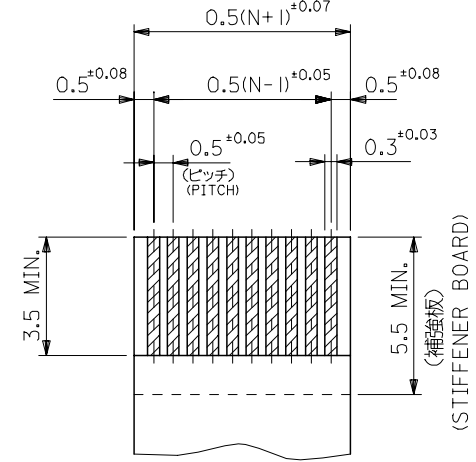
10 9 8 7 6 5 4 3 2 1



参考基板レイアウト
RECOMMENDED PC BOARD PATTERN DIMENSION(REF.)



適合FPC推奨寸法
APPLICABLE FPC RECOMMENDED DIMENSION



適合FFC推奨寸法
APPLICABLE FFC RECOMMENDED DIMENSION

注記
NOTES

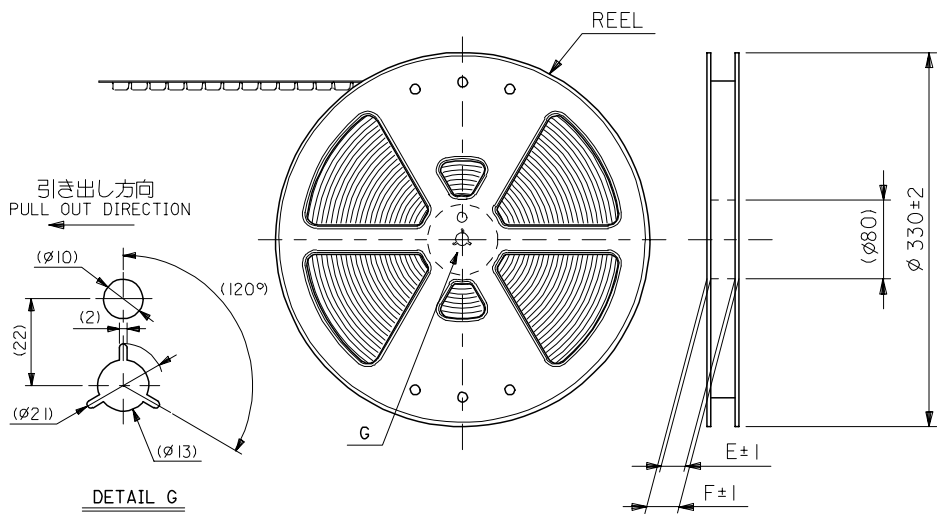
1. 使用材料 MATERIAL : 46ナイロン, UL 94V-0
ハウジング HOUSING : 46NYLON
アクチュエーター ACTUATOR : PPS, UL 94V-0
ターミナル TERMINAL : 金メッキ
CONTACT部 0.1 MICRO METER MIN.
テール部 0.05 MICRO METER MIN.
ニッケル下地 1.0 MICRO METER MIN.
GOLD PLATING
CONTACT PORTION : 0.1 MICRO METER MIN.
TAIL PORTION : 0.05 MICRO METER MIN.
NI-PLATING : 0.1 MICRO METER MIN.
金具 FITTING NAIL : リン青銅 (t=0.2), 銅メッキ 1.0~3.0 MICRO METER MIN.
ニッケル下地 1.0~3.0 MICRO METER MIN.
PHOS-BRO, TIN-PLATE 1.0~3.0 MICRO METER MIN.
OVER NICKEL 1.0~3.0 MICRO METER MIN.

2. エンボステープ梱包時は、アクチュエーターがロックした状態とする。
IN THE PACKAGE, ACTUATOR OF PART NO.54132-**69 SHOULD BE LOCKED.
3. ソルダータール半田付け面のズレ量、及び金具半田付け面のズレ量は、基準面 (田) に対し上方0.1MAX. 下方0.15MAX. とする。
MISALIGNMENT OF SOLDER TAILS AND FITTING NAIL FROM (田) UPPER DIRECTION: 0.1MAX., LOWER DIRECTION: 0.15MAX.
4. 偶数極に適用
APPLY FOR EVEN CIRCUIT.
5. パターンはくり止め用具
FITTING NAIL FOR PREVENTION OF PEELING OF P.C.B. PATTERN.
6. 本製品は54132-**61に対するニッケルバリア品である。
THIS PRODUCT IS Ni-Barrier OF 54132-**61.

FPC/FFCについて：
打抜き方向は導体側から補強板側を推奨いたします。
導体部については軟鋼箔35マイクロメーターまたは50マイクロメーター
RECOMMENDED PUNCHER DIRECTION:
FROM CONDUCTOR SIDE TO STIFFENER BOARD SIDE.
RECOMMENDED CONDUCTOR SPEC:
THICKNESS OF SOFT COPPER FOIL : 35 micrometer or 50 micrometer

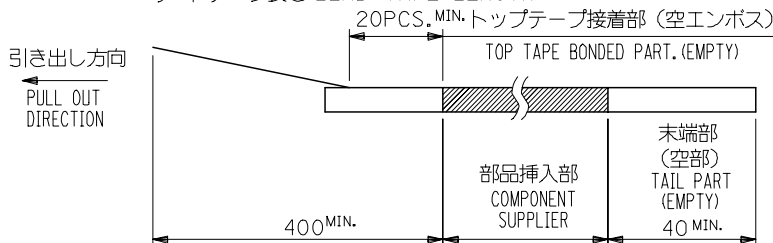
FPCについて：
補強フィルム材質はポリイミドを推奨いたします。
接着剤は熱硬化接着剤を推奨いたします。
RECOMMENDED MATERIAL:
STIFFENER FILM : POLYIMIDE
BONDING AGENT : THERMOSETTING BONDING AGENT

REVISED EC NO: J2006-0492 DRWN: MABEI CHKD: KTOYODA APPR: NUKITA	DESCRIPTION 2005/08/10 2005/08/17 2005/08/23	GENERAL TOLERANCES (UNLESS SPECIFIED)		DIMENSION STYLE MM ONLY		SCALE ---	DESIGN UNITS METRIC	THIRD ANGLE PROJECTION	
		10 UNDER ±0.2	30 UNDER ±0.25	DRAWN BY M.UMEDA	DATE 2004/09/27	TITLE 0.5 FPC CONN. HSG ASSY BTM CONTACT GOLD PLATING -LEAD FREE-(NI-BARRIER)			
		10 OVER ±0.25	30 OVER ±0.3	CHECKED BY K.TOYODA	DATE 2004/09/27	MOLEX INCORPORATED			
		ANGULAR ±3 °		APPROVED BY N.UKITA		DATE 2004/09/27	MATERIAL NO. DOCUMENT NO. SHEET NO. SEE CHART SD-54132-064 2 OF 4		
DRAFT WHERE APPLICABLE MUST REMAIN WITHIN DIMENSIONS		SIZE A3		THIS DRAWING CONTAINS INFORMATION THAT IS PROPRIETARY TO MOLEX INCORPORATED AND SHOULD NOT BE USED WITHOUT WRITTEN PERMISSION					

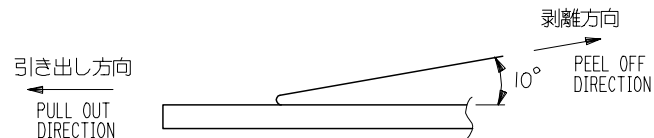


NOTES

1. 梱包数量：1500個/リール
NUMBER OF CONNECTORS : 1500PCS/REEL
2. リードテープ長さ LEAD TAPE LENGTH



3. トップテープの剥離強度： 0.1N ~ 1.3N(10gf ~ 130gf)
(剥離方向は下図参照)
尚、本規格値は出荷時に適用。(但し、輸送時に剥離が発生しないこと。)
PEELING OFF FORCE OF TOP TAPE : 0.1N ~ 1.3N(10gf ~ 130gf)
(PEELING DIRECTION AS SHOWN IN FOLLOWING FIG,)
THIS REQUIREMENT SHOULD BE APPLIED AT SHIPMENT.
PEEL OFF SHOULD NOT BE ALLOWED , DURING TRANSPORTATION.

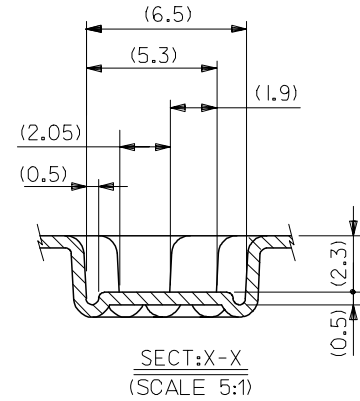
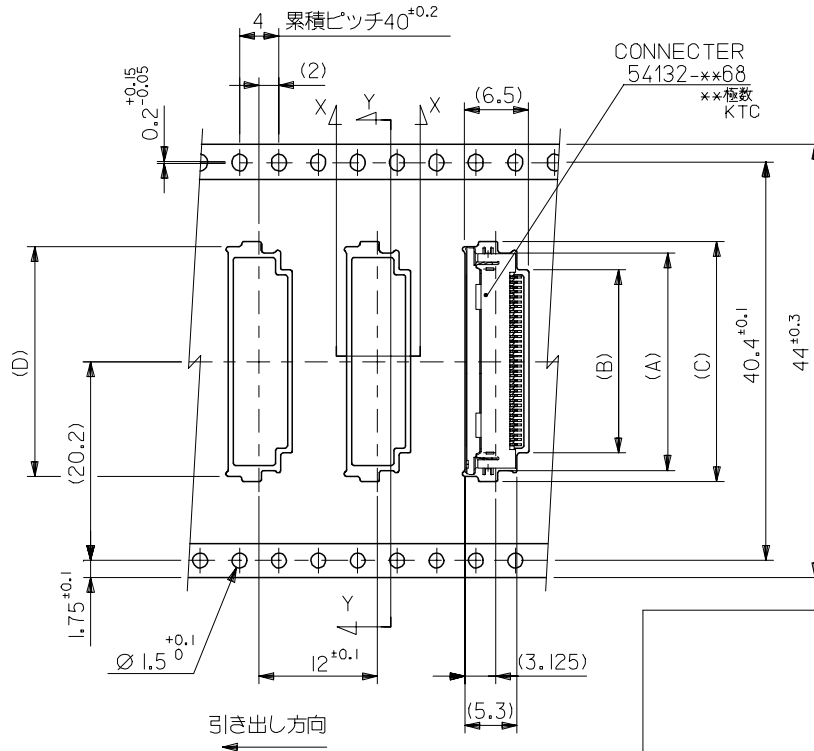
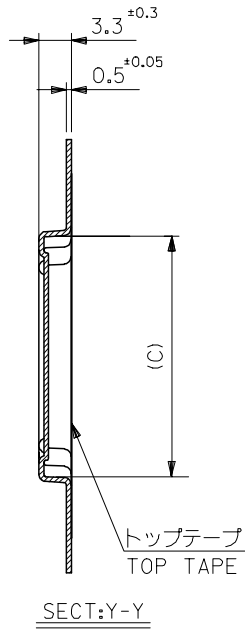


5. 材料
キャリアテープ：ポリプロピレン (PP)
トップテープ：PET, PE, PEF
リール：ポリスチレン (PS) <リサイクル材を含む>

MATERIAL CARRIER TAPE:POLYPROPYLENE
TOP TAPE:PET,PE,PEF
REEL:POLYSTYREN(PS)
<RECYCLE MATERIAL CONTAINED>

6. 本製品は54132-**61に対するニッケルバリア品である。
THIS PRODUCT IS Ni-Barrier OF 54132-**61.

REVISED EC NO: J2006-0492 DRWN: MABEI 2005/08/10 CHKD: KTOYODA 2005/08/17 APPR: NUKITA 2005/08/23	DESCRIPTION	GENERAL TOLERANCES (UNLESS SPECIFIED)		DIMENSION STYLE MM ONLY		SCALE ---	DESIGN UNITS METRIC	THIRD ANGLE PROJECTION	
		10 UNDER	± ---	DRAWN BY M.UMEDA	DATE 2004/09/27	TITLE 0.5 FPC CONN. HSG ASSY BTM CONTACT GOLD PLATING -LEAD FREE-(NI-BARRIER)			
		10 OVER 30 UNDER	± ---	CHECKED BY K.TOYODA	DATE 2004/09/27	MOLEX INCORPORATED			
		30 OVER	± ---	APPROVED BY N.UKITA	DATE 2004/09/27	SHEET NO. 3 OF 4			
		ANGULAR	± --- °	MATERIAL NO.		DOCUMENT NO. SD-54132-064			
		DRAFT WHERE APPLICABLE MUST REMAIN WITHIN DIMENSIONS		SIZE A3	THIS DRAWING CONTAINS INFORMATION THAT IS PROPRIETARY TO MOLEX INCORPORATED AND SHOULD NOT BE USED WITHOUT WRITTEN PERMISSION				



44	49.4	45.4	30.8	31.9	26.1	29.6	54132-5062	50		
			28.3	29.4	23.6	27.1	54132-4562	45		
			27.3	28.4	22.6	26.1	54132-4362	43		
			25.8	26.9	21.1	24.6	54132-4062	40		
			24.8	25.9	20.1	23.6	54132-3862	38		
			23.8	24.9	19.1	22.6	54132-3662	36		
			23.3	24.4	18.6	22.1	54132-3562	35		
			22.8	23.9	18.1	21.6	54132-3462	34		
			22.3	23.4	17.6	21.1	54132-3362	33		
			21.8	22.9	17.1	20.6	54132-3262	32		
			20.8	21.9	16.1	19.6	54132-3062	30		
キャリアテープ幅 CARRIER TAPE WIDTH			F	E	D	C	B	A	MATERIAL NO. (EMBOSS PKG)	CKT.

REVISED EC NO: J2006-0492 DRWN: MABEI 2005/08/10 CHKDK: TOYODA 2005/08/17 APPR: NUKITA 2005/08/23	GENERAL TOLERANCES (UNLESS SPECIFIED)		DIMENSION STYLE MM ONLY		SCALE ---	DESIGN UNITS METRIC	THIRD ANGLE PROJECTION		
	10 UNDER	± ---	DRAWN BY M.UMEDA	DATE 2004/09/27	TITLE 0.5 FPC CONN. HSG ASSY BTM CONTACT GOLD PLATING -LEAD FREE-(NI-BARRIER)				
	10 OVER 30 UNDER	± ---	CHECKED BY K.TOYODA	DATE 2004/09/27	MOLEX INCORPORATED				
	30 OVER	± ---	APPROVED BY M.UMEDA	DATE 2004/09/27	MATERIAL NO. SEE CHART		DOCUMENT NO. SD-54132-064	SHEET NO. 4 OF 4	
	ANGULAR	± --- °	DRAFT WHERE APPLICABLE MUST REMAIN WITHIN DIMENSIONS		THIS DRAWING CONTAINS INFORMATION THAT IS PROPRIETARY TO MOLEX INCORPORATED AND SHOULD NOT BE USED WITHOUT WRITTEN PERMISSION				